

A black and white photograph of several communication towers against a cloudy sky. The towers are made of metal lattice and are covered with various antennas and satellite dishes. The image is taken from a low angle, looking up at the towers.

**User Manual**  
**Hi10-5S**

**MADE IN HUAPTEC**

## Table of Content

Package Content	3
Introduction	3
How Signal Boosters Work	4
Pre-Installation Instructions	4
Installation – Signal Supervisor App	5
Installation – Manual Method	5
Troubleshooting Guide	9
Technical Specifications	10
Return and Warranty Policies	11



AT	BE	CY	CZ	DK	EE	FI
FR	DE	EL	HU	IE	IT	LV
LT	LU	MT	NL	PL	PT	SK
SI	ES	SE	UK	BG	RO	HR

### Safety Warnings

- ⚠ You should follow system requirements of mobile signal enhancement equipment, assure good grounding and lightning protection.
- ⚠ Booster's power supply voltage should meet the standards of security requirements; any operation should be carried out only after cutting off the booster power in advance. Only the professionals are authorized for the operation.
- ⚠ Do not dismantle the booster, maintain or displace accessories by yourself. This way the equipment can be damaged and you can even get an electric shock.
- ⚠ Do not open the booster, touch the module of the booster, or open the cover of the module to touch the electronic component. The components will be damaged due to static electricity.
- ⚠ Keep away from heating equipment, because the booster will dissipate heat during working. And do not cover booster with anything that influences heat-dissipation.
- ⚠ The device has a plug connection, the socket must be close to the device and accessible.
- ⚠ During the transportation and storage process the device should be protected against humidity, violent impact and strong vibration.

## Package Content

Hi10-5S	Outdoor Wide Band Directional Antenna	Indoor Wide Band Panel Antenna	Power Supply
			

**Warning:** Un-authorized antennas, cables, and/or coupling devices are prohibited for use

## Introduction

Thanks again for purchasing a HiBoost Booster! Our new signal booster is a precision-engineered product that improves cellular reception.

HiBoost's exclusive cloud-based Signal Supervisor mobile application allow users to monitor the live status of HiBoost cell phone signal boosters remotely from a mobile device anywhere at any time.

If there are any issues while installing a HiBoost cell phone signal booster, please contact the HiBoost technical support team through the following options:

**24/7 Online Support:** Create a ticket or chat via Signal Supervisor App

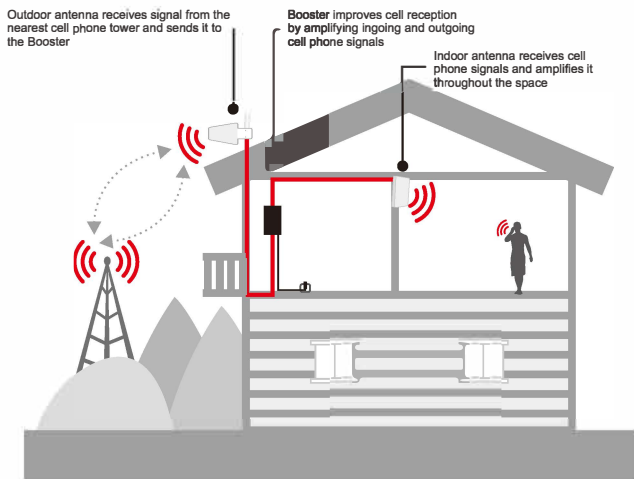
**Phone:** +44 (20) 3239-5808

**Email:** [sales@hualptec.eu](mailto:sales@hualptec.eu)

**Website:**

[www.hiboost.com/eu/](http://www.hiboost.com/eu/)

## How Signal Boosters Work



## Pre-Installation Instructions

HiBoost's booster unit and antennas must be strategically placed in order to perform and provide maximum coverage.

The HiBoost Signal Supervisor app allows users to communicate to the booster via Bluetooth or Wi-Fi connection. Once registered, the user can remotely monitor the travel booster's performance.

Note: Signal Supervisor enabled boosters must have access to a Bluetooth enabled device in order to connect to the booster.

### Professional Installation Tips:

- For a fast and optimized installation, it is strongly recommended that users install HiBoost products using the Signal Supervisor mobile application.
- Read the user manual completely and gather all the necessary tools, material and accessories before installing the booster
- A "soft installation" is recommended before permanently mounting any equipment – this technique will simplify the installation process by allowing users to identify any potential installation issues beforehand
- The Signal Supervisor App integrates a tool that will help users locate the best location for the outdoor antenna.
- It is important to have a strong and stable WiFi connection to the booster.

## **Installation – Signal Supervisor App**

Before installing the Signal Supervisor App, please have the booster unit that is powered on and nearby.

**Note:** Turn on the Bluetooth feature enabled before attempting to register the booster to the mobile device.

Step 1: Download the Signal Supervisor App

- The application is available for download through Apple’s App Store or Google Play

Step 2: Create a New Account and Log-in

- Launch the app on your mobile device
- Select the **HiBoost Server**
- Log-in with an existing account create a new one

Step 3: Register the Booster by adding a device on the home menu

**Go to My Devices > Add a Device**

Step 4: Follow the step-by-step Quick Installation Guide after registering the booster.

You can also access the guide by following:

**Go to My Devices > Select the Booster > Device Details > Quick Install Guide**

**Note:** Bluetooth connections are limited to a range of only 9 meters.

If there are any issues installing the booster, please contact our technical support team via the Online Support Chat.

## **Installation – Manual Method**

Before beginning the installation, it is important that users survey and plan the layout of the cell phone signal booster system. Please review the following instructions before attempting to install this system.

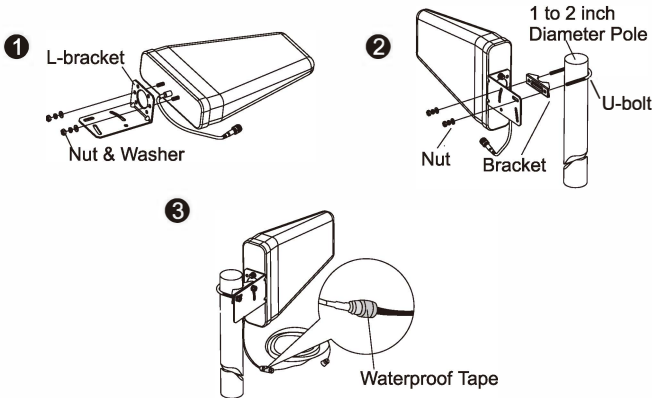
In this set up, the user will need to use the outdoor antenna to find the strongest source of nearby cellular signal (generally in the direction of the nearest cell phone tower). This will optimize the system by helping user install the booster and antennas in the best position and direction.

- A. Finding the Strongest Outdoor Signal
- B. Install the Booster
- C. Finalize the Installation

### **Step 1. Outdoor antenna Installation**

There is not an antenna mast included in this kit. If you have question about how to install outdoor antenna, please call our support team. Below are installation

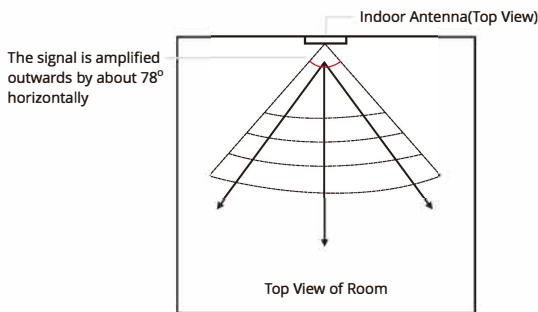
instructions on how to install the mounting bracket. please follow the steps below to install the outdoor antenna with the mounting hardware included in the kit.



Note: Wrap waterproof tape around the connectors between outdoor antenna and feeder line to avoid water or other kind of damage.

## Step 2. Install Indoor Antenna

While determining where to install the indoor panel antenna, please ensure that there is at least 20 ft (6m) of vertical separation between the outdoor and indoor antenna. To avoid any oscillation issues, it is recommended that the outdoor antenna is pointed away from the indoor antenna.

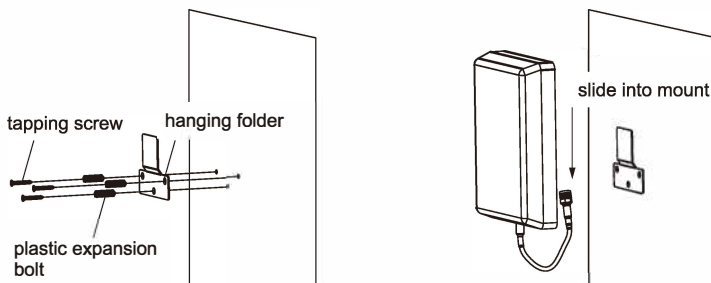


The panel antenna included in this kit will be mounted to the wall. It has a coverage area that is a sector with a tilted angle. The signal is amplified outwards from the front of the indoor antenna at a horizontal angle of 80-degrees. The height between the floor and the indoor antenna can vary. Follow the steps below to install the indoor antenna.

1. Connect the indoor antenna to the booster using the coaxial cable.

## We Improve Your Mobile Signal

2. Push the cable firmly into the jack on both the antenna and the booster, then turn the connector sleeve clockwise until the connectors are tight.
3. Find a location to mount the indoor panel antenna and permanently mount the indoor antenna panel antenna with the hardware provided in the kit.



**Note:** It is important that the indoor and outdoor antennas are pointed away from each other.

The outdoor signal strength will affect performance. It is important that users install the outdoor antenna in the right position on a mast that is mounted outside from the roof, balcony or ground.

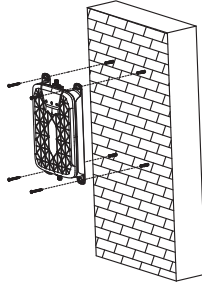
It may help to visit an online resource such as [www.cellmapper.net](http://www.cellmapper.net), [www.cellreception.com](http://www.cellreception.com) or [www.antennasearch.com](http://www.antennasearch.com)

1. Once the best location is located, use the hardware provided in the kit to mount the outdoor antenna on a mast pointing towards the nearest cell phone tower.
2. Connect the outdoor antenna transmission cable to the coaxial cable provided in the kit, then connect the coaxial cable to the outdoor port on the booster.

**Note:**

- It is easier to optimize the outdoor antenna installation using the Signal Supervisor app since it can determine real-time signal measurements using the outdoor antenna and signal booster.
- Find the best location for the outdoor antenna by using a cell phone to monitor the number of signal bars being received while slowly moving around to different locations.
- It is recommended that users perform multiple tests while moving around to different locations- refresh the signal bar readings by turning off and on airplane mode on the cell phone.
- It is important to gain height above nearby obstructions (such as trees, buildings, etc.) while mounting the outdoor antenna on mast.

## Step 3. Install Signal Booster



1. Select the location near a power supply on a wall.
2. Mount the booster with the screws included into the kit as shown on the graph below.
3. Connect the outdoor antenna cable to booster connector marked as "outdoor". Tighten the connection by hand or with a wrench.
4. Connect the indoor antenna cables to booster connector marked as "indoor". Tighten the connection by hand or with a wrench.
5. Connect AC power cord to the signal booster, then connect the plug to the electrical outlet to power on the booster.

**Note:** If it's necessary to install multiple indoor antennas solution, please contact us, We will provide you with a professional installation coverage plan.



## Troubleshooting Guide

LED STATUS INDICATORS		
Alarm LED	Solid blue	Below full output power
	Slow flashing blue	Full output power
	Quick flashing blue	Output power is too high
	Quick flashing red	Booster will automatically shut down excessive downlink signal
Bluetooth LED	Slow flashing blue	Bluetooth disconnected
	Quick flashing blue	Bluetooth connected

Problem	Resolution
The signal booster has no power	Check that the AC outlet is working.
The booster's power is on but the phone is not connected to the network and still cannot communicate with the signal.	Fasten the connections between the different parts of the system. Change the direction of the donor antenna or its installation position.
Good downlink signal with poor communication quality	Check whether there's interference. Consult the operator whether the signal source base station works well.
The signal is not stable after turning on the booster power	Check that the outdoor signal is stable by referring to your mobile device and checking your coverage.

For more information or technical support, please contact our team.

Phone: +44 (20) 3239-5808

Email: [sales@hupatec.eu](mailto:sales@hupatec.eu)

Website: [www.hiboost.com/eu/](http://www.hiboost.com/eu/)



## Technical Specifications

Parameter	Uplink	Downlink
Frequency Range	800 MHz	791~821 MHz
	900 MHz	925~960 MHz
	1800 MHz	1805~1880 MHz
	2100 MHz	2110~2170 MHz
	2600 MHz	2620~2690 MHz
Max. Gain	55dB	60dB
Max. Power	16dBm	10dBm
<b>Electrical Parameter</b>		
Power Supply	Input DC 100-240V,50/60Hz, Output DC5V/3A	
Power Consumption	≤12W	
Input & Output Impedance	50 ohm	
<b>Mechanical Parameter</b>		
I/O Port Type	SMA-Female	
Dimension	6.8*4.4*1inch/173*112*21mm	
Weight	≤ 1.76lbs /0.8KG	
<b>Environment Parameter</b>		
Operating Temperature	-10°C~+55°C	
Storage Temperature	-10°C~+80°C	
Relative Humidity	5% - 95%	
Barometric Pressure	55 kPa -106 kPa	
Environment Conditions	IP40	

## **Return and Warranty Policies**

**60-Day Money-Back Guarantee:** If for any reason the performance of any product is not acceptable, the product may be returned to the reseller within 60 days with a proof of purchase. Please contact the HiBoost customer support.

**2-Year Warranty:** HiBoost signal boosters and kits are warranted for 2 years. Huaptec offers two options for the products under warranty: repair or replace. This warranty does not apply to any signal boosters or kits determined by HiBoost to have been subjected to tampering, misuse, abuse, neglect, or mishandling that alters or damages physical or electronic properties.

All HiBoost products that are packaged with other HiBoost accessory products are intended for resale and use as a single integrated system. Such product kits are required to be sold to an end-user or a subsequent reseller as packaged.



Address: Herderstr. 94, 40721 Hilden, Germany      Phone: +44 (20) 3239-5808  
E-mail : [sales@huaptec.eu](mailto:sales@huaptec.eu)      Website : [www.hiboost.com/eu/](http://www.hiboost.com/eu/)